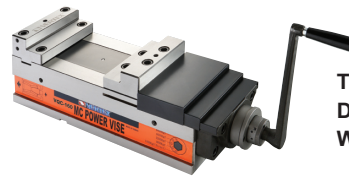
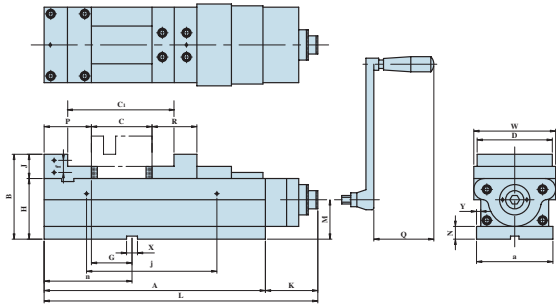


**NEW**



DRIVING

TOGGLE JOINT MECHANISM  
DESIGN FOR HEAVY DUTY  
WORKING



## Features

- Compact design. Great clamping capacity & rigid.
- "Toggle joint mechanism". Provides a steady clamping force against shocks and vibrations during the operations, since it clamps the workpiece resiliently with an aid of the "disc-springs" mounted inside.
- Strong clamping force.
- Large jaw stroke range.
- Exclusive Power Vise provide same height same position for horizontal and vertical MC, NC, Machine.
- Body is made of FCD60 high quality ductile cast iron, resists deflection or bending.
- Sliding bed ways flame hardened and ground.
- Concealed spindle for protection against chips and dirt.
- Quick of clamping & locking and easy of operation.

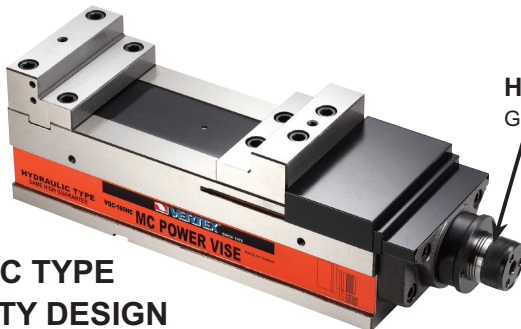
## L TYPE IS ULTRA OPEN TYPE

ORDER NO.	JAW H	JAW Open		H	MAX. Clamping Force (KN)	G.W. kg
		C	C1			
VQC-125LC	40	205	283	140	40	40.4
VQC-160LC	50	275	361	165	60	72.3
VQC-1602LC	50	355	455	165	60	78.58
VQC-2002LC	70	405	505	190	60	108

ORDER NO.	A	B	a	D	P	R	G	H	J	K	L	M	N	Q	W	X	Y	C OPEN	C1 OPEN	f	j	n	CODE NO.
VQC-125LC	365	140	126	124.5	78	74	66	100	40	86.5	451.5	65	21	73	135	18	7	205	283	20	215	145	4005-005LC
VQC-160LC	455	165	161	159.5	86	86	58	120	45	98.5	553.5	78	21	93	170	18	7	275	361	20	285	145	4005-006LC
VQC-1602LC	535	160	162	160	86	86	58	115	45	98.5	633.5	78	21	93	174	18	7	355	455	20	285	145	4005-007LC
VQC-2002LC	615	180	202	200	102	98	74	110	70	95	710	75	21	95	217	18	7	405	505	20	385	177	4005-008LC

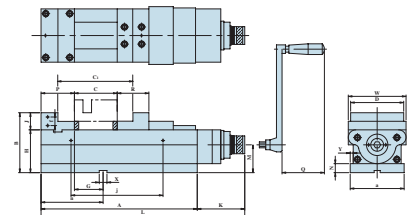
# MC Power Vise Hydraulic Type

**NEW**



HYDRAULIC UNIT-  
GREAT SMOOTH OPERATION

COMPACT DESIGN-  
SMALL LENGTH BODY BUT  
SUPER OPEN CAPACITY



## HYDRAULIC TYPE HEAVY DUTY DESIGN

## Features

- Compact design. Great clamping capacity & rigid. Light & smooth operation.
- Constructed for milling, drilling, machining center, grinding and many other machine shop applications.
- Body is made of FCD60 ductile cast iron, HIGH deflection/bending resistant.
- Sliding bed ways flame hardened and ground.
- Concealed spindle for protection against chips and dirt.
- Hydra-booster system for maximum clamping pressure with minimum force.
- Quick of clamping & locking and easy of operation.
- Accuracy within 0.01/100mm.
- Hydra-booster system is guaranteed for using 2 years limited.
- The hydraulic oil number is 68#

ORDER NO.	JAW H	JAW Open		H	MAX. Clamping Force (8#KN)	G.W. kg
		C	C1			
VQC-125HC	40	205	283	140	40	42.5
VQC-160HC	50	275	361	165	60	66
VQC-160LHC	50	355	455	165	60	78.79
VQC-200LHC	70	405	505	190	60	108

ORDER NO.	A	B	a	D	P	R	G	H	J	K	L	M	N	Q	W	X	Y	C OPEN	C1 OPEN	f	j	n	CODE NO.
VQC-125HC	365	140	126	124.5	78	74	66	100	40	113.5	478.5	65	21	73	135	18	7	205	283	20	215	145	4005-005HC
VQC-160HC	455	165	161	159.5	86	86	58	120	45	125.5	580.5	78	21	93	170	18	7	275	361	20	285	145	4005-006HC
VQC-160LHC	535	160	162	160	86	86	58	115	45	125.5	660.5	78	21	93	174	18	7	355	455	20	285	145	4005-007HC
VQC-200LHC	615	180	202	200	102	98	74	110	70	122	737	75	21	95	217	18	7	405	505	20	385	177	4005-008HC